



YEOSHE

E-PSVD
Engineering Machinery Application



www.yeoshehydraulic.com

Efficient Performance
Innovative Technology
Reliable Quality and Service

YEOSHE HYDRAULICS CO.,LTD.



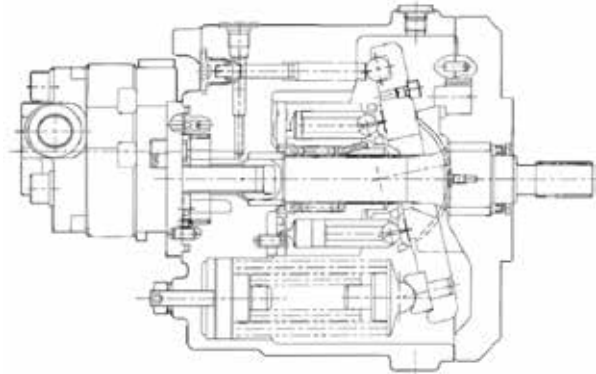
E-PSVD piston pump

E-PSVD series piston pump

A

1

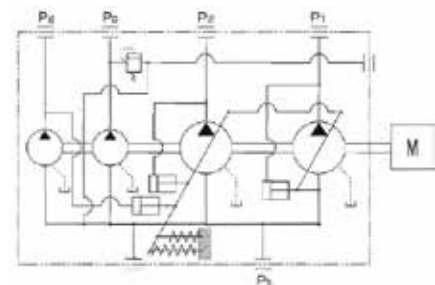
E-PSVD piston pump



General:

E-PSVD series pumps are developed most suitably for 2~5ton mini excavators.

This E-PSVD pump consist of 4 elements,ie.,(2) piston pumps,(1)gear pump and(1)trochoid pump.In this series, 4 different size pumps are available.



Features

- 1.Light weight, simple structure and reduced number of parts.
- 2.Low noise and low pressure ripple by excellent , Swash Plate and Valve Plate design.
- 3.Short total length ensure the pump fit small engine room.
- 4.One common suction port is devided into 4 pump suction area in the case.
- 5.No case drain port
- 6.Long life
- 7.Others
 - 1) Pilot pump and relief valve (30-50 bar) are installed as standard.
 - 2)Selection of gear pump displacement is option.

Specifications

Model	Max.Input Speed rpm	Direction of Rotation From Input Shaft	Suction Pressure MPa	Fluid Temperature °C	Fluid Viscosity m ² /s	Weight	Applicable Vehicle Weight Ton	Piston Pump Spec.			Pilot Pump Spec.		Gear Pump Spec.	
								Max. Displacement cm ³ /rev	Max. Pressure MPa	Max. Input Torque N.m	Displacement cm ³ /rev	Max. Pressure MPa	Displacement cm ³ /rev	Max. Pressure MPa
E-PSVD2-13E	2550	Clock Wise As Seen From The Shaft	-0.03~+0.03	-10~+80	0.001-0.1	19	2.0~3.0	13.1X2	59.8	3.5/4.9	4.9	7.0/17	20.6	
E-PSVD2-17E	2500					23	2.5~3.5	16.8X2	85.3					
E-PSVD2-21E	2400					26	3.5~4.5	20.8X2	122.6					
E-PSVD2-27E	2400					36	4.5~6.0	26.9X2	140.2					

* If you need others displacement, please contact with YOSHE.

Diagrams

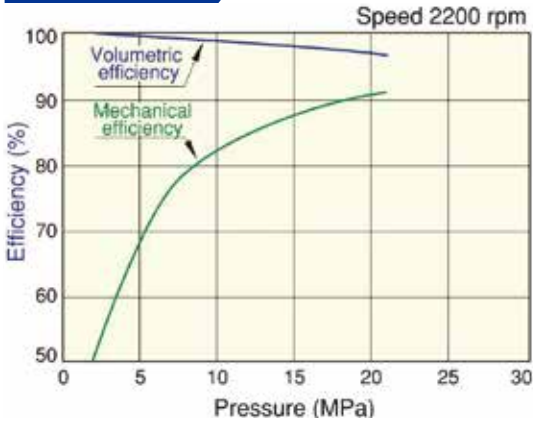
Performance Curve (Shaft Speed :2400rpm)

A

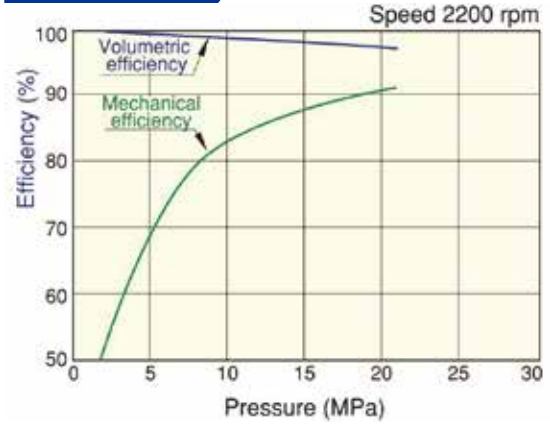
2

E-PSVD piston pump

E-PSVD2-13E



E-PSVD2-17E



E-PSVD2-21E



E-PSVD2-27E



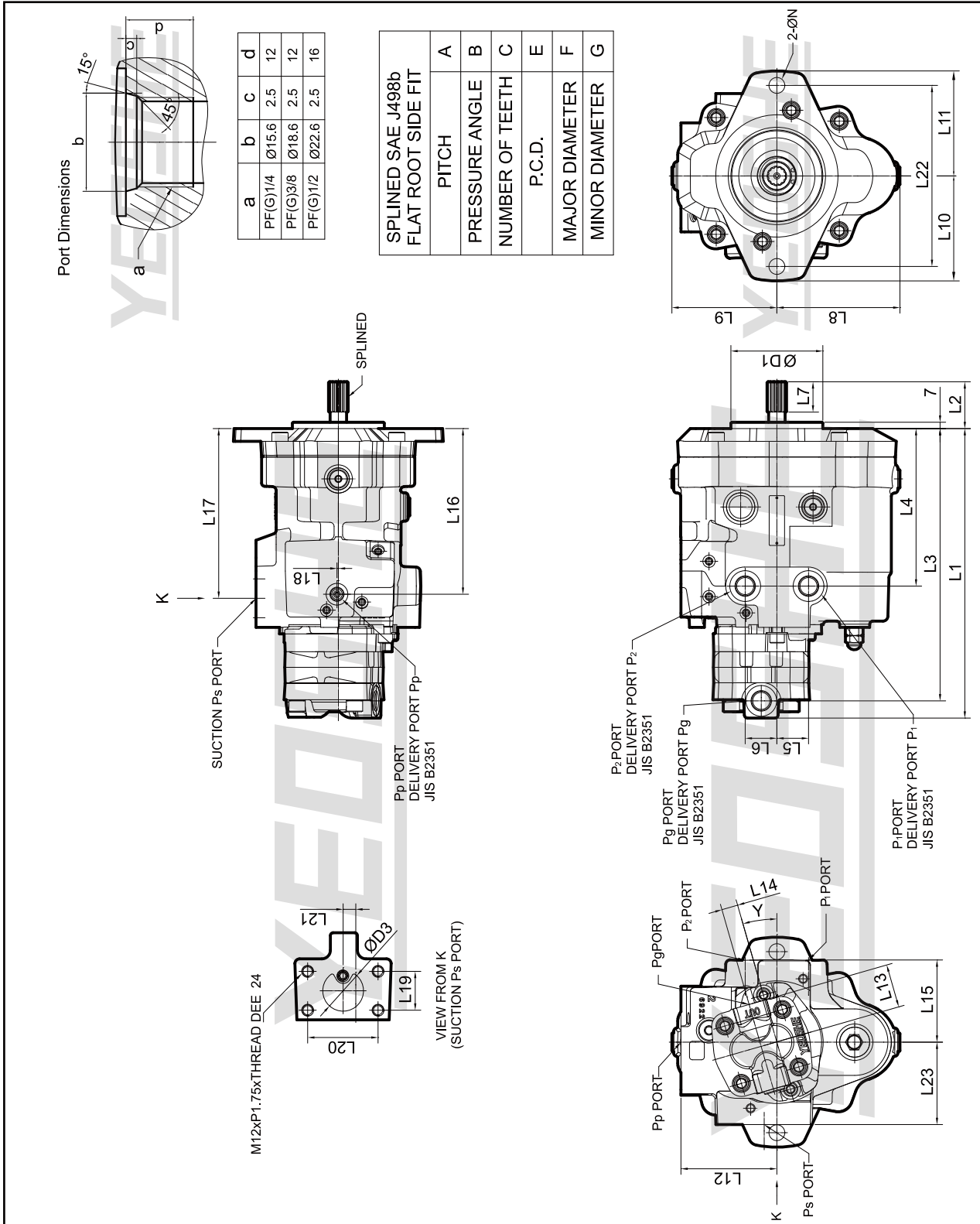


Dimensions

A

3

E-PSVD piston pump



Model	L1	L2	L3	L4	L5	L6	L7	L8	L9	L10	L11	L12	L13	L14	L15	L16	L17	L18	L19	L20	L21	L23
E-PSVD2-13E	259	46	235.5	136.5	25	25	30	111	100.5	90.5	90.5	89.5	48	18	78.5	142	142.5	1.5	30.2	58.7	9	80
E-PSVD2-17E	279	46	255.5	144.5	28	28	30	120.5	104.5	90.5	90.5	91.5	48	18	78.5	154	154.5	1.5	35.7	69.9	9	80
E-PSVD2-21E	299.5	45	276	161	28	28	25	120.5	107.5	90.5	90.5	94.5	48	18	76	163.5	173	1.5	35.7	69.9	12	82
E-PSVD2-27E	320	52	301	174	35	35	34	136	116	117	117	104.5	48	18	88.5	183	187.5	1.5	42.9	77.8	14	91

Model	A	B	C	øE	øF	øG	M	øN	Y	P ₁ Port	P ₂ Port	P ₃ Port	P ₄ Port	øD1	L22	øD3
E-PSVD2-13E	16/32	30°	13	20.638	21.679 21.806	18.352 18.631	M10	14	16°	PF3/8	PF3/8	PF1/2	PF1/4	101.6 _{-0.05}	146	34
E-PSVD2-17E	16/32	30°	13	20.638	21.679 21.806	18.352 18.631	M12	14	16°	PF1/2	PF1/2	PF1/2	PF1/4	101.6 _{-0.05}	146	38
E-PSVD2-21E	16/32	30°	13	26.988	28.029 28.156	24.702 24.981	M12	14	16°	PF1/2	PF1/2	PF1/2	PF1/4	101.6 _{-0.05}	146	38
E-PSVD2-27E	16/32	30°	13	26.988	28.029 28.156	24.702 24.981	M12	17.5	16°	PF1/2	PF1/2	PF1/2	PF1/4	101.6 _{-0.05}	200	45

Dimensions

E-PSVD2-17E Dimensions

Max. Input Speed rpm:2550
 Relation:Clockwise
 Weight:23
 Applicable Vehicle Weight Ton:2.5~3.5

Pilot Pump Spec.

Displacement cm³/rev:4.9
 Max. Pressure MPa:4.9

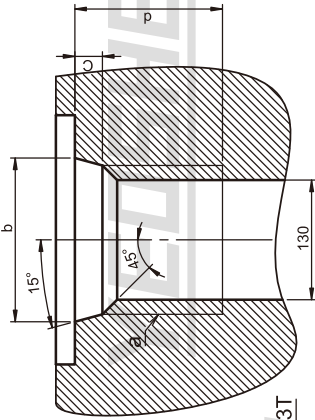
Piston Pump Spec:

Max. Displacement cm³/rev:16.8x2
 Max. Pressure MPa:24.5
 Max. Input Torque N·m:85.3

Gear Pump Spec.

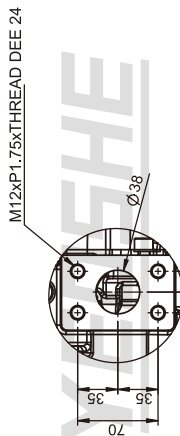
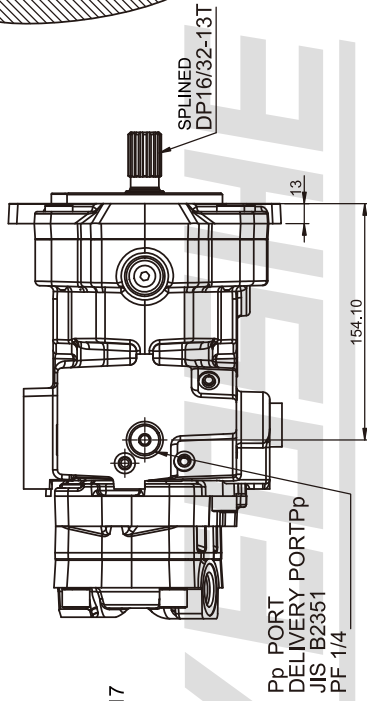
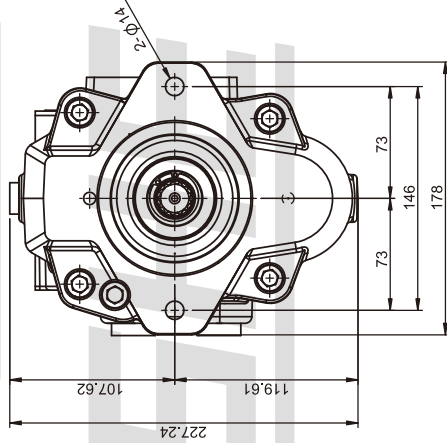
Displacement cm³/rev:7.17
 Max. Pressure MPa:20.6

Port Dimensions

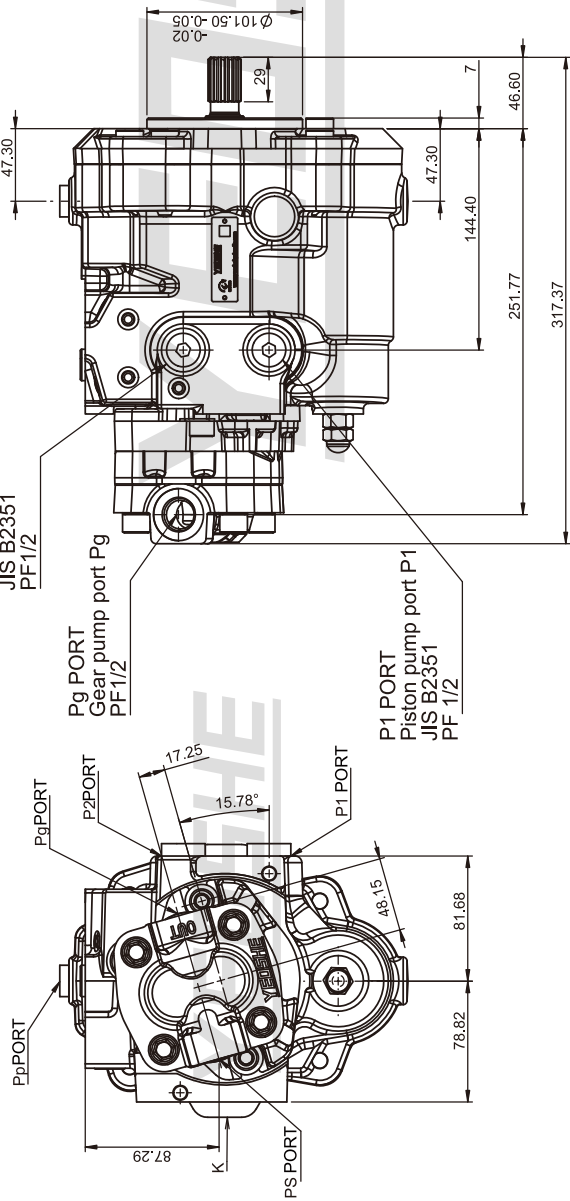


a	b	c	d
PF(G)1/4	Φ15.6	2.5	12
PF(G)3/8	Φ18.6	2.5	12
PF(G)1/2	Φ22.6	2.5	16

SPLINED ANSI B92.1 PA30° DP16/32x13T class 5	
PITCH	DP16/32
PRESSURE ANGLE	30°
NUMBER OF TEETH	13
MAJOR DIAMETER	Φ21.78
MINOR DIAMETER	Φ18.3261



VIEW FROM K (SUCTION Ps PORT)





Dimensions

A

5

E-PSVD piston pump

E-PSVD2-21E Dimensions

Max. Input Speed rpm:r:2400
 Rotation:Clockwise
 Weight:26
 Applicable Vehicle Weight Ton:3.5~4.5

Pilot Pump Spec.

Displacement cm³/rev:4.9
 Max. Pressure MPa:4.9

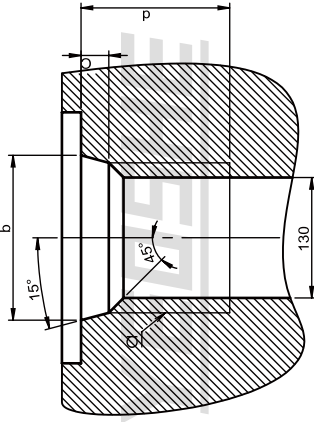
Piston Pump Spec:

Max. Displacement cm³/rev: 20.8x2
 Max. Pressure MPa:24.5
 Max. Input Torque N·m:122.6

Gear Pump Spec.

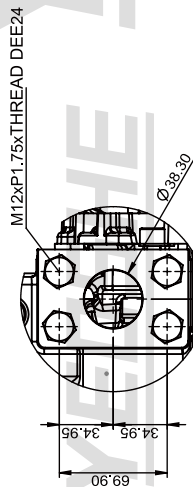
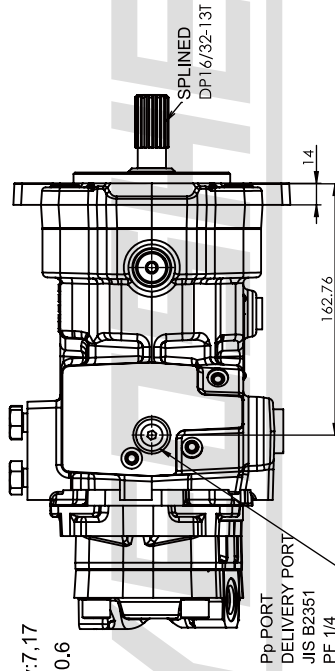
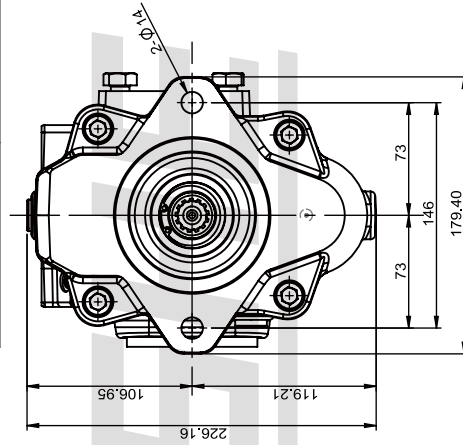
Displacement cm³/rev:7.17
 Max. Pressure MPa:20.6

Port Dimensions

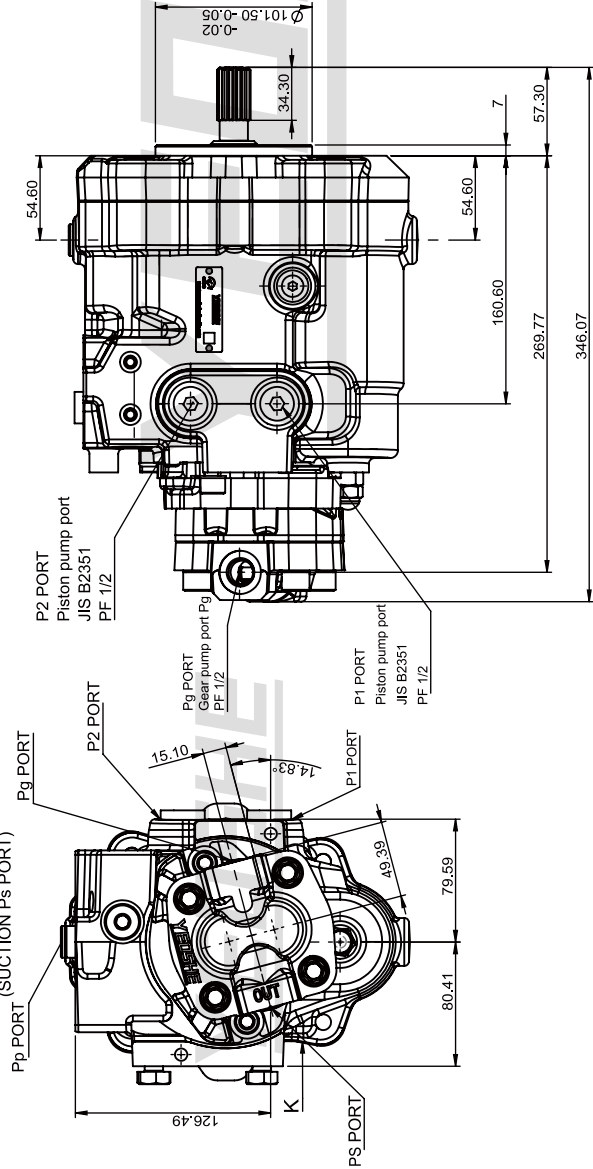


a	b	c	d
PF(G)1/4	Φ15.6	2.5	12
PF(G)3/8	Φ18.6	2.5	12
PF(G)1/2	Φ22.6	2.5	16

SPLINED ANSI B92.1 PA30° DP16/32x13T class 5	
PITCH	DP16/32
PRESSURE ANGLE	30°
NUMBER OF TEETH	13
MAJOR DIAMETER	Φ21.78
MINOR DIAMETER	Φ18.3261



VIEW FROM K (SUCTION Ps PORT)



Dimensions



E-PSVD2-27E Dimensions

Max. Input Speed rpm: 2400
 Relation: Clockwise
 Weight: 36
 Applicable Vehicle Weight Ton: 4.5~6.0

Pilot Pump Spec.

Displacement cm³/rev: 4.9
 Max. Pressure MPa: 4.9

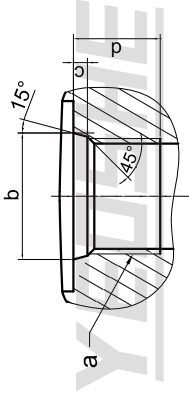
Gear Pump Spec.

Displacement cm³/rev: 21
 Max. Pressure MPa: 20.6

Piston Pump Spec.

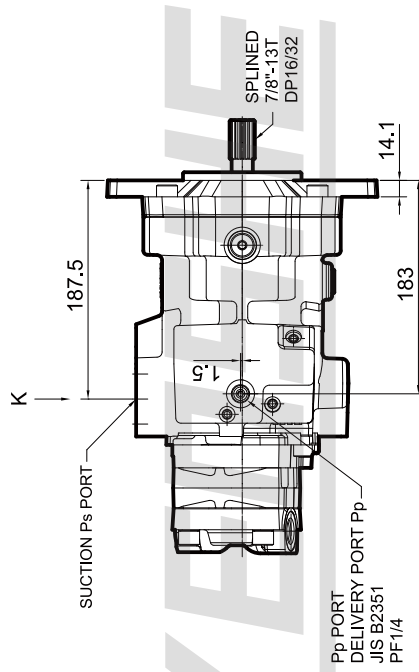
Max. Displacement cm³/rev: 27.9
 Max. Pressure MPa: 24.5
 Max. Input Torque N·m: 140.2

Port Dimensions

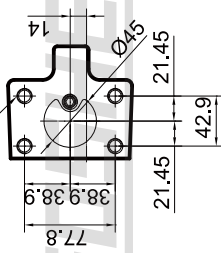


a	b	c	d
PF(G)1/4	Ø15.6	2.5	12
PF(G)3/8	Ø18.6	2.5	12
PF(G)1/2	Ø22.6	2.5	16

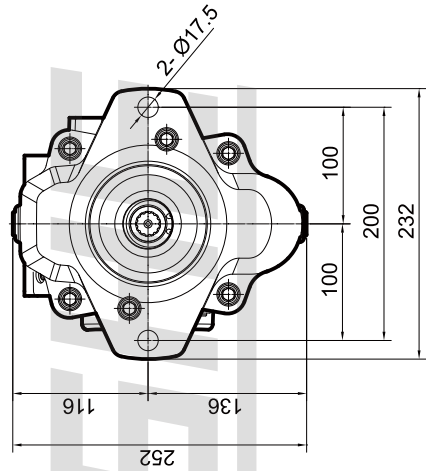
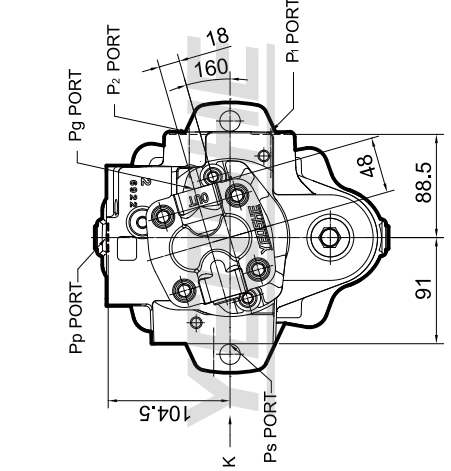
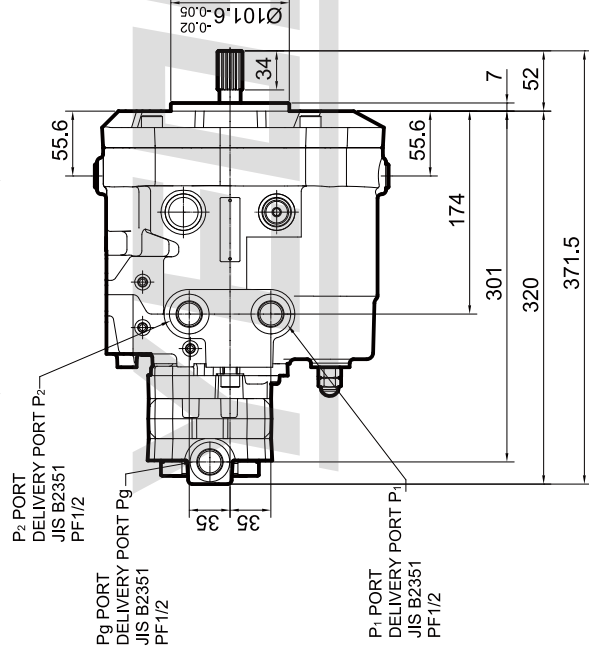
SPLINED ANSI B92.1 PA30° DP16/32 x 13T class 5	DP16/32
PITCH	DP16/32
PRESSURE ANGLE	30°
NUMBER OF TEETH	Ø13T
MAJOR DIAMETER	Ø21.78
MINOR DIAMETER	Ø18.3261



M12xP1.75x THREAD DEE 24

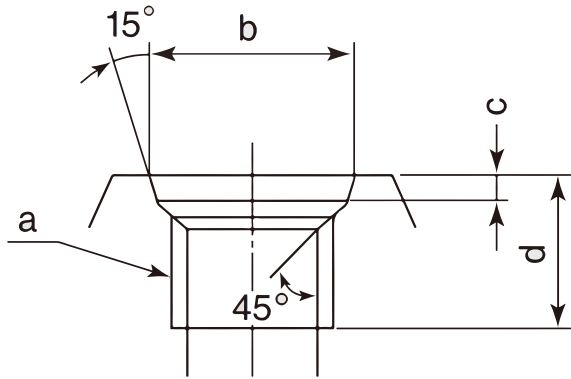


VIEW FROM K
(SUCTION Ps PORT)





Dimensions



External port (JIS B2531) /
 Drain port (Rule: JIS B2351)

a	b	c	d
PF(G)1/4	Ø15.6	2.5	12
PF(G)3/8	Ø18.6	2.5	12
PF(G)1/2	Ø22.6	2.5	16

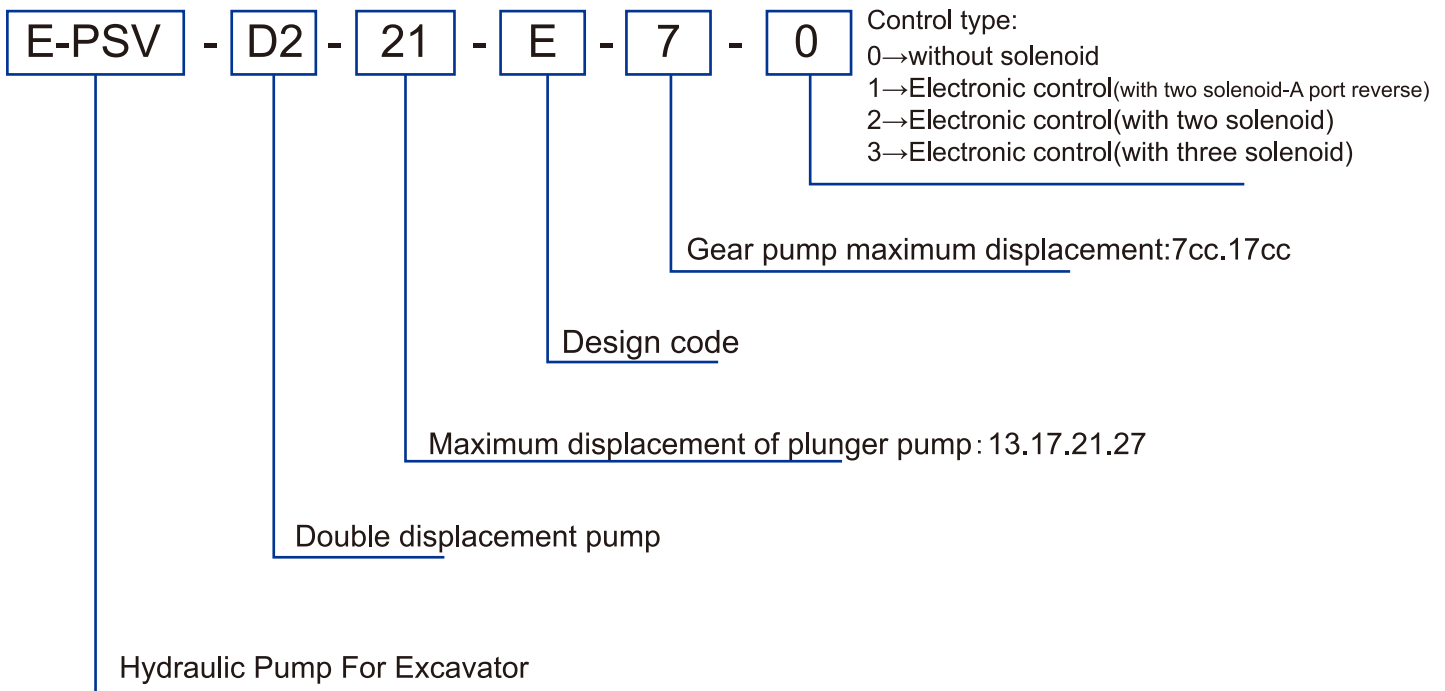
(mm)

A

5

E-PSVD piston pump

Model Information





YEOSHE HYDRAULICS CO., LTD.
YEOSHE BEST CHOICE

Innovative Technology
Efficient Performance
Reliable Quality and Service

油聖液壓科技有限公司
YEOSHE HYDRAULICS TECHNOLOGY CO.,LTD.

413 台灣台中市霧峰區霧工一路68號
No.68, Wugong 1st Rd., Wufong Dist., Taichung City, Taiwan, 413
TEL : +886-4-23332339 FAX : +886-4-23333817 E-mail : yeoshe@yeoshe.com.tw

東莞辦事處 Dongguan TEL : +86-769-85965158 FAX : +86-769-81635359 E-mail : yeoshe@yeoshe.com.tw
上海辦事處 Shanghai TEL : +86-21-69785786 FAX : +86-21-69785787 E-mail : yeoshe@yeoshe.com.tw

經銷商 Distributor

www.yeoshehydraulic.com

版權所有 翻印必究
Copyright © 2019 by YEOSHE